



## G-BH2

### Data sheet 2BH20360-1

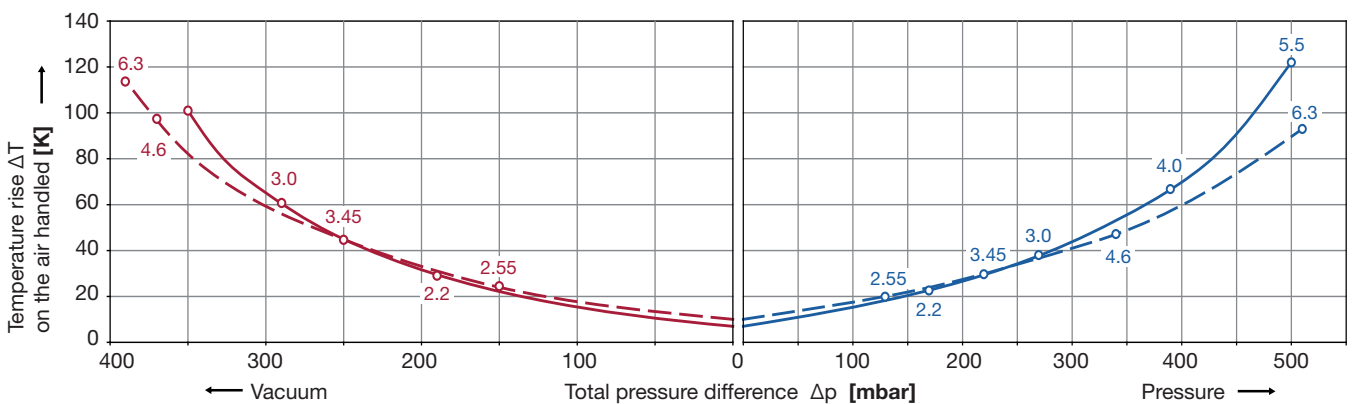
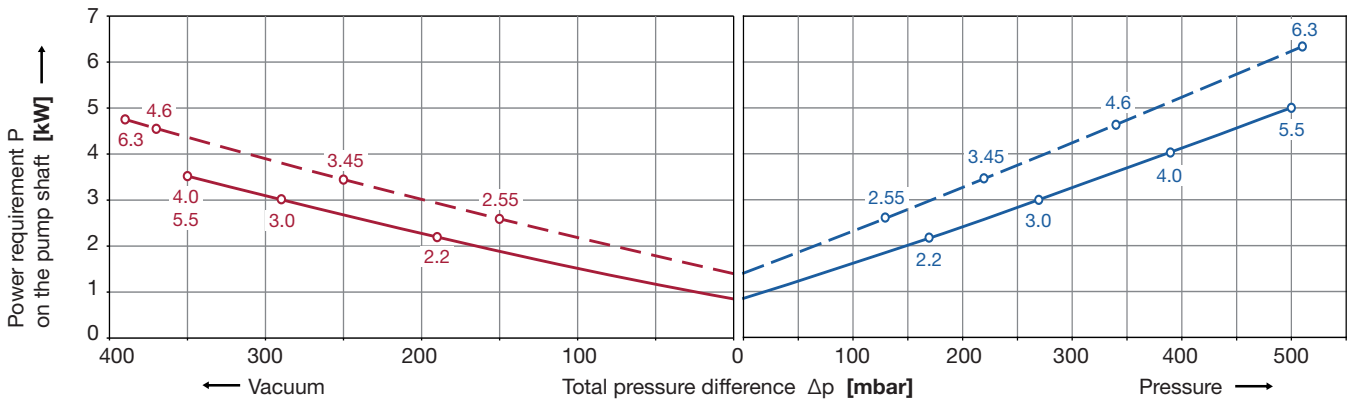
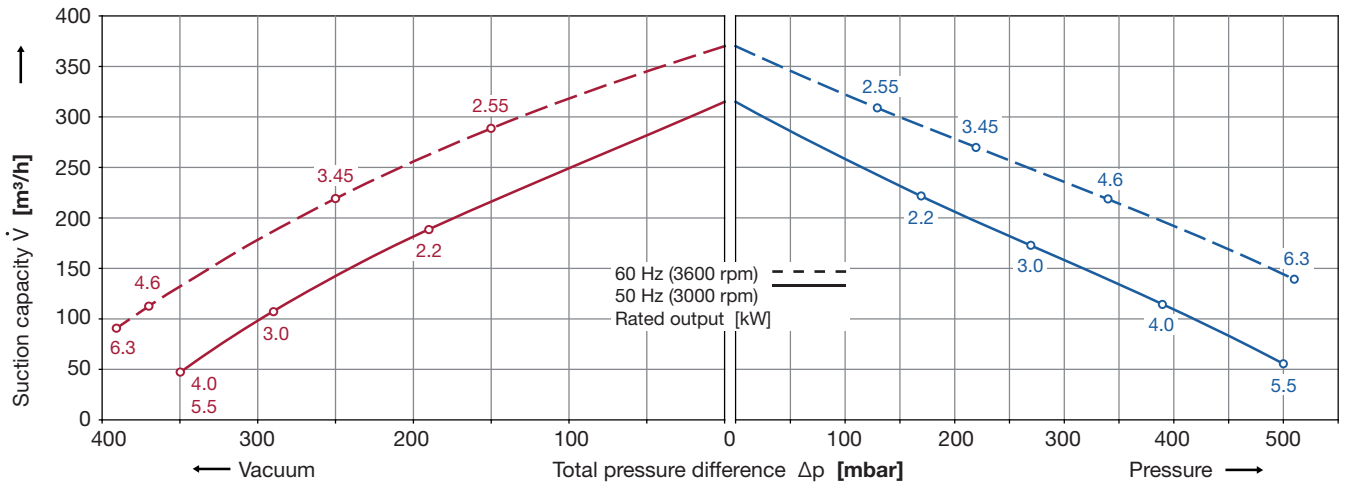
#### Side channel blower



#### Performance curves

##### Vacuum operation

##### Compressor operation



The performance curves are based on air at a temperature of 15 °C and an atmospheric pressure of 1013 mbar with a tolerance of  $\pm 10\%$ . The total pressure differences are valid for suction and ambient temperature up to 25 °C. For other conditions please confer with us.

Each 2BH2 type can be applied both as vacuum pump and compressor in continuous operation over the total stated performance curve range. The motors are available as standard in protection category IP 55 and isolation class F. The vacuum pumps/compressors are approved according to UL and CSA.


| Selection and ordering data   |                |                           |                |                                   |          |   |               | Order-Nr.          |
|---|----------------|---------------------------|----------------|-----------------------------------|----------|---|---------------|--------------------|
| Rated output  | Fre-<br>quency | Rated                     |                | max. diff. pressure <sup>1)</sup> |          | Sound-<br>pressure<br>level <sup>2)</sup> | Weight<br>ca. |                    |
|   |                | voltage                   | current        | vacuum                            | pressure |   |               |                    |
| kW  | Hz             | V                         | A              | mbar                              | mbar     | dB (A)                                    | kg            |                    |
| <b>3~ 50/60 Hz, IP55, insulation class F, UL 507 and CSA 22.2 No. 13 (Certificate Number E225239)</b> |                |                           |                |                                   |          |   |               |                    |
| 2.2   | 50             | 200 - 260 Δ / 350 - 450 Y | 8.1 Δ / 4.6 Y  | - 190                             | + 170    | 64  | 49            | 2BH20360-1AAPJ6-AA |
| 2.55  | 60             | 230 - 290 Δ / 400 - 500 Y | 8.0 Δ / 4.6 Y  | - 150                             | + 130    | 68  |               |                    |
| 3.0   | 50             | 200 - 260 Δ / 350 - 450 Y | 11.4 Δ / 6.5 Y | - 290                             | + 270    | 65  | 54            | 2BH20360-1AAPK6-AA |
| 3.45  | 60             | 230 - 290 Δ / 400 - 500 Y | 11.4 Δ / 6.5 Y | - 250                             | + 220    | 69  |               |                    |
| 4.0   | 50             | 350 - 450 Δ / 610 - 725 Y | 8.4 Δ / 4.8 Y  | - 350                             | + 390    | 66  | 66            | 2BH20360-1AAPL7-AA |
| 4.6   | 60             | 400 - 500 Δ               | 8.2 Δ          | - 370                             | + 340    | 70  |               |                    |
| 5.5   | 50             | 350 - 450 Δ / 610 - 725 Y | 11.1 Δ / 6.4 Y | - 350                             | + 500    | 70  | 78            | 2BH20360-1AAPM7-AA |
| 6.3   | 60             | 400 - 500 Δ               | 11.0 Δ         | - 390                             | + 510    | 74  |               |                    |

1) Relief-valve are available for limiting differential pressure.

2) Measuring-surface sound-pressure level acc. to EN ISO 3744, measured on an equivalent unit at a distance of 1 m. The pump is throttled to an average suction pressure, with piping connected, but is not fitted with relief valves, tolerance ±3 dB (A).

All 2BH2 fulfil the directives 98/37/EC (machinery) and 2006/95/EC (low voltage) and the norm EN 60034-1 "Rotating electrical machines".

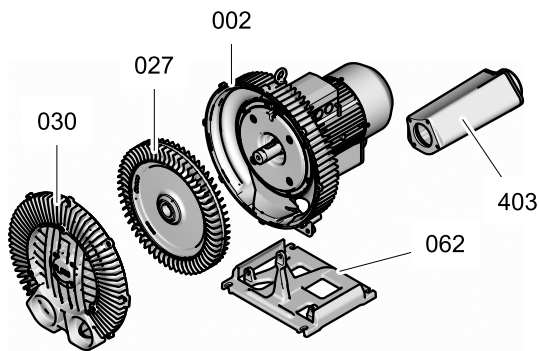
The motors are designed according to the EN 60034-1/IEC 60034-1 and temperature class F. Voltage tolerance ± 5%.

| Other voltages   |  |  |                                    |                                    |                          |                          |                          |
|--|--|--|------------------------------------|------------------------------------|--------------------------|--------------------------|--------------------------|
| 50 Hz (EFFI)   | 50 Hz voltage ranges   | 60 Hz voltage ranges            | 86 Hz (5000 rpm)                   | 100 Hz (6000 rpm)                  | 2BH20360-1A              | P.                       | -AA                      |
| 200 V Δ / 345 V Y<br>500 V Δ<br>230 V Δ / 400 V Y<br>400 V Δ / 690 V Y | 180 - 240 V Δ / 310 - 415 V Y<br>450 - 550 V Δ<br>200 - 260 V Δ / 350 - 450 V Y<br>350 - 450 V Δ / 610 - 725 V Y | 200 - 275 V Δ / 345 - 480 V Y<br>520 - 600 V Δ<br>230 - 290 V Δ / 400 - 500 V Y<br>400 - 500 V Δ / 690 - 725 V Y | -----<br>-----<br>400 V Δ<br>----- | 400 V Δ<br>-----<br>-----<br>----- | <input type="checkbox"/> | <input type="checkbox"/> | <input type="checkbox"/> |
|  |  |  |                                    |                                    |                          |                          | 1<br>5<br>6<br>7         |

\* No approval according to UL for voltage ranges above 600 V.

standard A  
suction port at cover B

## Material list



| No. | Description      | Material       |
|-----|------------------|----------------|
| 002 | Blower housing   | aluminum alloy |
| 027 | Impeller         | aluminum alloy |
| 030 | Blower cover     | aluminum alloy |
| 062 | Base             | cast irons     |
| 403 | Silencer housing | aluminum alloy |

Changes in particular the quoted performance curve, datas and weights without prior notice. The figures are without obligations.

# Gardner Denver

Elmo Rietschle is a brand of the  
Gardner Denver Blower Division

er.de@gardnerdenver.com  
www.gd-elmorietschle.com

Gardner Denver Schopfheim GmbH

Roggenbachstraße 58  
79650 Schopfheim - Germany

Tel.: +49 7622 392-0  
Fax: +49 7622 392-400

Gardner Denver Deutschland GmbH

Industriestraße 26  
97616 Bad Neustadt - Germany

Tel.: +49 9771 6888-0  
Fax: +49 9771 6888-4000

## G-BH2

### Data sheet 2BH20360-2

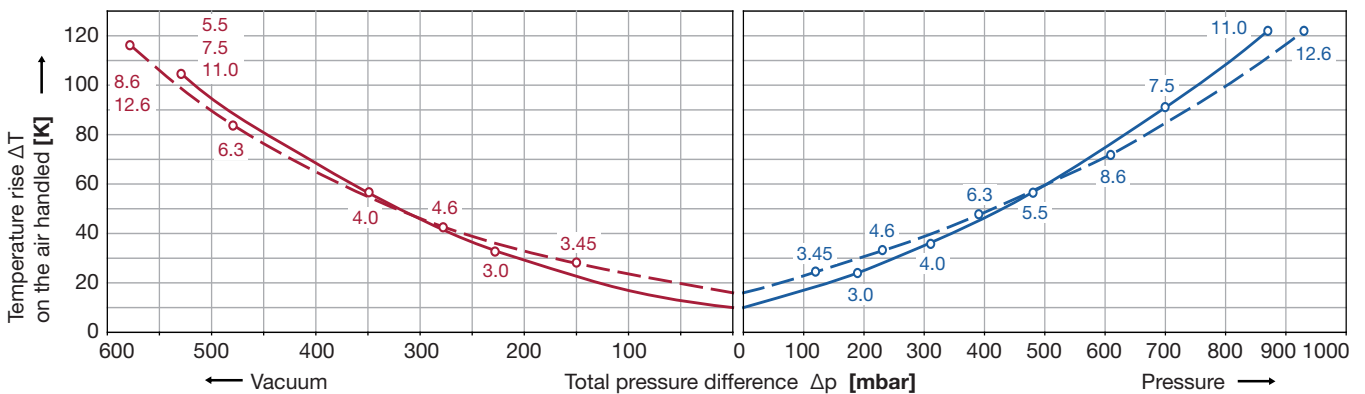
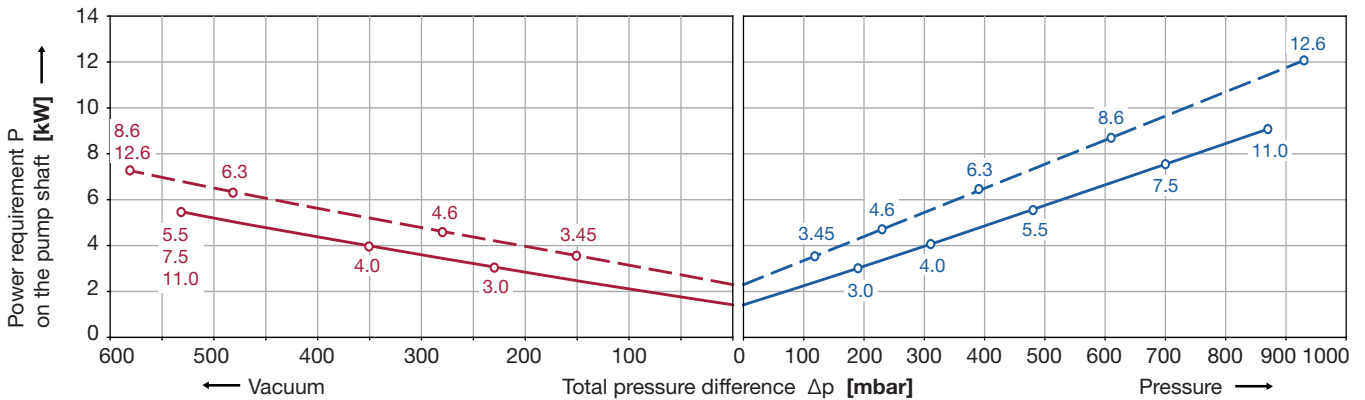
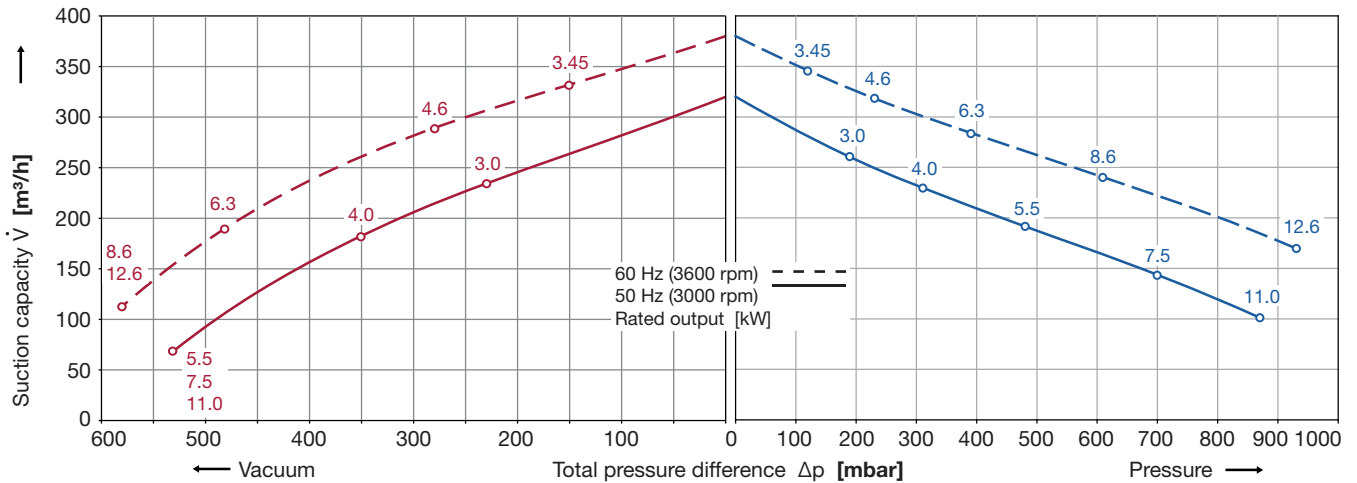
Side channel blower



#### Performance curves

##### Vacuum operation

##### Compressor operation



The performance curves are based on air at a temperature of 15 °C and an atmospheric pressure of 1013 mbar with a tolerance of  $\pm 10\%$ . The total pressure differences are valid for suction and ambient temperature up to 25 °C. For other conditions please confer with us.

Each 2BH2 type can be applied both as vacuum pump and compressor in continuous operation over the total stated performance curve range. The motors are available as standard in protection category IP 55 and isolation class F. The vacuum pumps/compressors are approved according to UL and CSA.


| Selection and ordering data   |                |                           |                 |                                   |          |   |               | Order-Nr.          |
|---|----------------|---------------------------|-----------------|-----------------------------------|----------|---|---------------|--------------------|
| Rated output  | Fre-<br>quency | Rated                     |                 | max. diff. pressure <sup>1)</sup> |          | Sound-<br>pressure<br>level <sup>2)</sup> | Weight<br>ca. |                    |
|   |                | voltage                   | current         | vacuum                            | pressure |   |               |                    |
| kW  | Hz             | V                         | A               | mbar                              | mbar     | dB (A)                                    | kg            |                    |
| <b>3~ 50/60 Hz, IP55, insulation class F, UL 507 and CSA 22.2 No. 13 (Certificate Number E225239)</b> |                |                           |                 |                                   |          |   |               |                    |
| 3.0   | 50             | 200 - 260 Δ / 350 - 450 Y | 11.4 Δ / 6.5 Y  | - 230                             | + 190    | 68  | 74            | 2BH20360-2AAPK6-AA |
| 3.45  | 60             | 230 - 290 Δ / 400 - 500 Y | 11.4 Δ / 6.5 Y  | - 150                             | + 120    | 71  |               |                    |
| 4.0   | 50             | 350 - 450 Δ / 610 - 725 Y | 8.4 Δ / 4.8 Y   | - 350                             | + 310    | 69  | 85            | 2BH20360-2AAPL7-AA |
| 4.6   | 60             | 400 - 500 Δ               | 8.2 Δ           | - 280                             | + 230    | 72  |               |                    |
| 5.5   | 50             | 350 - 450 Δ / 610 - 725 Y | 11.1 Δ / 6.4 Y  | - 530                             | + 480    | 71  | 96            | 2BH20360-2AAPM7-AA |
| 6.3   | 60             | 400 - 500 Δ               | 11.0 Δ          | - 480                             | + 390    | 74  |               |                    |
| 7.5   | 50             | 350 - 450 Δ / 610 - 725 Y | 15.0 Δ / 8.7 Y  | - 530                             | + 700    | 71  | 103           | 2BH20360-2AAPN7-AA |
| 8.6   | 60             | 400 - 500 Δ               | 15.1 Δ          | - 580                             | + 610    | 74  |               |                    |
| 11.0  | 50             | 350 - 450 Δ / 610 - 725 Y | 22.0 Δ / 12.7 Y | - 530                             | + 870    | 72  | 128           | 2BH20360-2AAPP7-AA |
| 12.6  | 60             | 400 - 500 Δ               | 22.0 Δ          | - 580                             | + 930    | 76  |               |                    |

1) Relief-valve are available for limiting differential pressure.

2) Measuring-surface sound-pressure level acc. to EN ISO 3744, measured on an equivalent unit at a distance of 1 m. The pump is throttled to an average suction pressure, with piping connected, but is not fitted with relief valves, tolerance ±3 dB (A).

All 2BH2 fulfil the directives 98/37/EC (machinery) and 2006/95/EC (low voltage) and the norm EN 60034-1 "Rotating electrical machines".

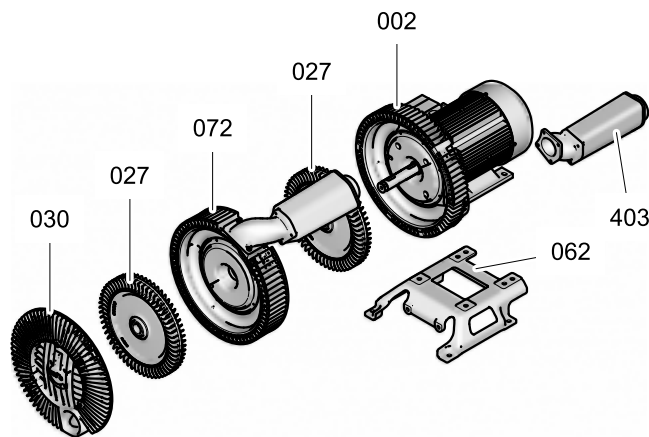
The motors are designed according to the EN 60034-1/IEC 60034-1 and temperature class F. Voltage tolerance ± 5%.

| Other voltages                         |  |  |                           |                           |             |    |                  |
|--|--|--|---------------------------|---------------------------|-------------|----|------------------|
| 50 Hz (EFF I)                          | 50 Hz voltage ranges   | 60 Hz voltage ranges  | 86 Hz (5000 rpm)          | 100 Hz (6000 rpm)         | 2BH20360-2A | P. | -AA              |
| 200 V Δ / 345 V Y<br>500 V Δ           | 180 - 240 V Δ / 310 - 415 V Y<br>450 - 550 V Δ                 | 200 - 275 V Δ / 345 - 480 V Y<br>520 - 600 V Δ   | -----<br>-----            | 400 V Δ<br>-----<br>----- |             |    |                  |
| 230 V Δ / 400 V Y<br>400 V Δ / 690 V Y | 200 - 260 V Δ / 350 - 450 V Y<br>350 - 450 V Δ / 610 - 725 V Y | 230 - 290 V Δ / 400 - 500 V Y<br>400 - 500 V Δ / 690 - 725 V Y   | 400 V Δ<br>-----<br>----- |                           |             |    | 1<br>5<br>6<br>7 |

\* No approval according to UL for voltage ranges above 600 V.

standard suction port at cover  A  B

### Material list



| No. | Description      | Material       |
|-----|------------------|----------------|
| 002 | Blower housing   | aluminum alloy |
| 027 | Impeller         | aluminum alloy |
| 030 | Blower cover     | aluminum alloy |
| 062 | Base             | cast irons     |
| 072 | Centre section   | aluminum alloy |
| 403 | Silencer housing | aluminum alloy |

Changes in particular the quoted performance curve, datas and weights without prior notice. The figures are without obligations.

# Gardner Denver

Elmo Rietschle is a brand of the  
Gardner Denver Blower Division

er.de@gardnerdenver.com  
www.gd-elmorietschle.com

Gardner Denver Schopfheim GmbH

Roggenbachstraße 58  
79650 Schopfheim - Germany

Tel.: +49 7622 392-0  
Fax: +49 7622 392-400

Gardner Denver Deutschland GmbH

Industriestraße 26  
97616 Bad Neustadt - Germany

Tel.: +49 9771 6888-0  
Fax: +49 9771 6888-4000



## G-BH2

### Data sheet 2BH20360-3

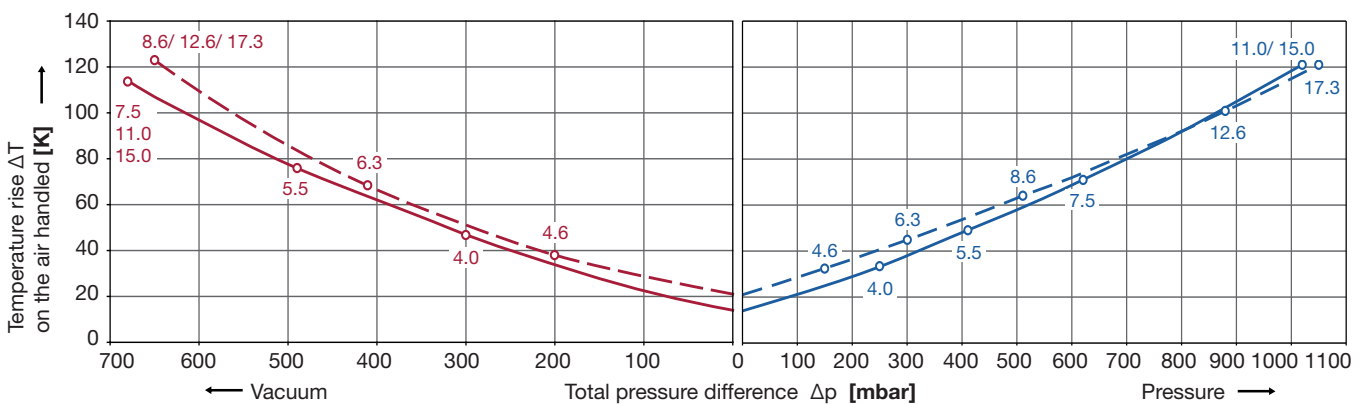
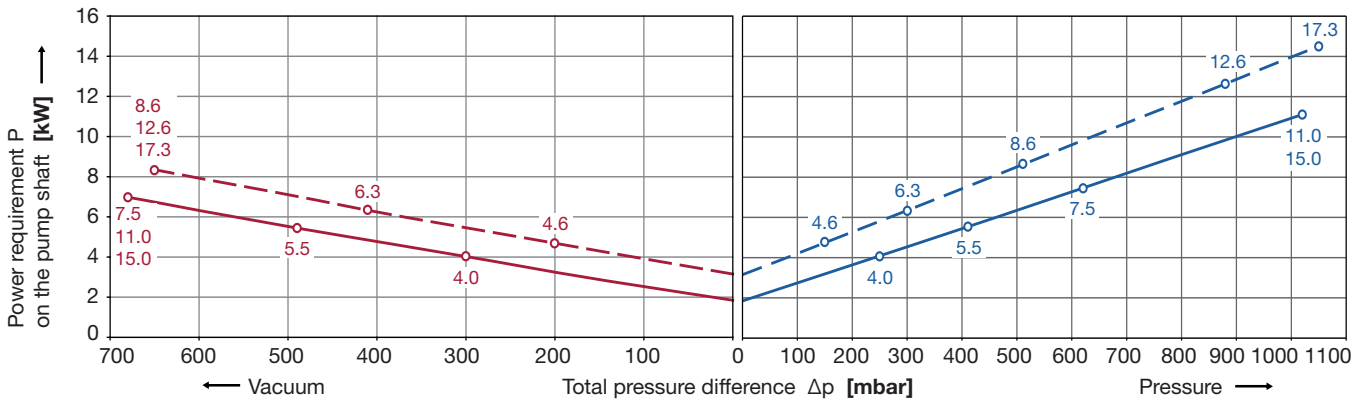
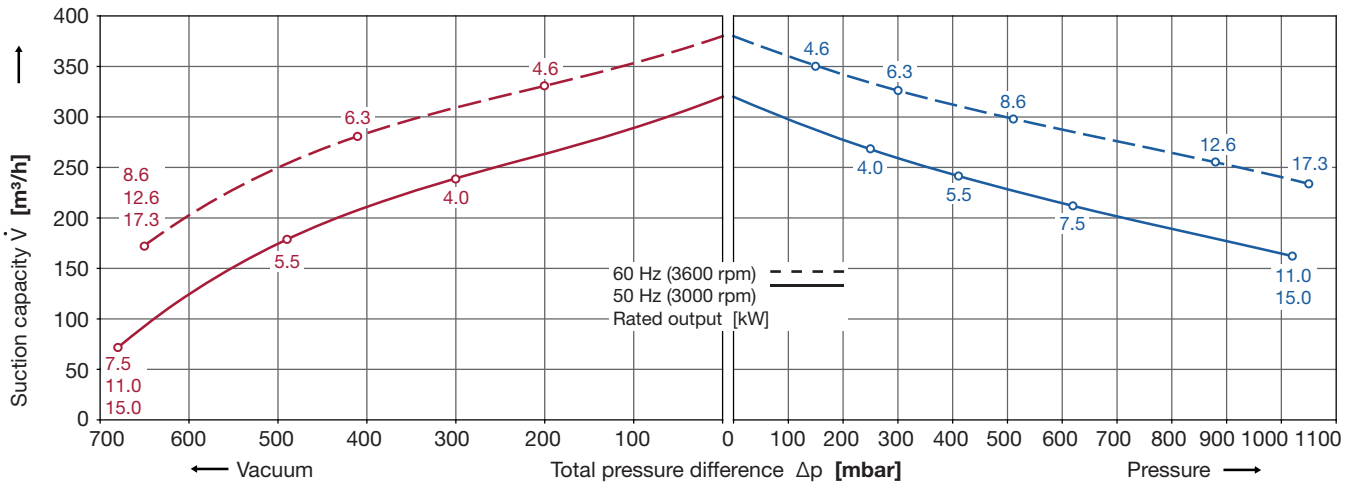
Side channel blower



#### Performance curves

##### Vacuum operation

##### Compressor operation



The performance curves are based on air at a temperature of 15 °C and an atmospheric pressure of 1013 mbar with a tolerance of  $\pm 10\%$ . The total pressure differences are valid for suction and ambient temperature up to 25 °C. For other conditions please confer with us.

Each 2BH2 type can be applied both as vacuum pump and compressor in continuous operation over the total stated performance curve range. The motors are available as standard in protection category IP 55 and isolation class F. The vacuum pumps/compressors are approved according to UL and CSA.


| Selection and ordering data   |                |                           |                 |                                   |          |   |               | Order-Nr.          |
|---|----------------|---------------------------|-----------------|-----------------------------------|----------|---|---------------|--------------------|
| Rated output  | Fre-<br>quency | Rated                     |                 | max. diff. pressure <sup>1)</sup> |          | Sound-<br>pressure<br>level <sup>2)</sup> | Weight<br>ca. |                    |
|   |                | voltage                   | current         | vacuum                            | pressure |   |               |                    |
| kW  | Hz             | V                         | A               | mbar                              | mbar     | dB (A)                                    | kg            |                    |
| <b>3~ 50/60 Hz, IP55, insulation class F, UL 507 and CSA 22.2 No. 13 (Certificate Number E225239)</b> |                |                           |                 |                                   |          |   |               |                    |
| 4.0   | 50             | 350 - 450 Δ / 610 - 725 Y | 8.4 Δ / 4.8 Y   | - 300                             | + 250    | 69  | 88            | 2BH20360-3AAPL7-AA |
| 4.6   | 60             | 400 - 500 Δ               | 8.2 Δ           | - 200                             | + 150    | 72  |               |                    |
| 5.5   | 50             | 350 - 450 Δ / 610 - 725 Y | 11.1 Δ / 6.4 Y  | - 490                             | + 410    | 71  | 99            | 2BH20360-3AAPM7-AA |
| 6.3   | 60             | 400 - 500 Δ               | 11.0 Δ          | - 410                             | + 300    | 74  |               |                    |
| 7.5   | 50             | 350 - 450 Δ / 610 - 725 Y | 15.0 Δ / 8.7 Y  | - 680                             | + 620    | 71  | 107           | 2BH20360-3AAPN7-AA |
| 8.6   | 60             | 400 - 500 Δ               | 15.1 Δ          | - 650                             | + 510    | 74  |               |                    |
| 11.0  | 50             | 350 - 450 Δ / 610 - 725 Y | 22.0 Δ / 12.7 Y | - 680                             | + 1020   | 72  | 131           | 2BH20360-3AAPP7-AA |
| 12.6  | 60             | 400 - 500 Δ               | 22.0 Δ          | - 650                             | + 880    | 76  |               |                    |
| 15.0  | 50             | 350 - 450 Δ / 610 - 725 Y | 30.5 Δ / 17.3 Y | - 680                             | + 1020   | 72  | 143           | 2BH20360-3AAPQ7-AA |
| 17.3  | 60             | 400 - 500 Δ               | 29.5 Δ          | - 650                             | + 1050   | 76  |               |                    |

1) Relief-valve are available for limiting differential pressure.

2) Measuring-surface sound-pressure level acc. to EN ISO 3744, measured on an equivalent unit at a distance of 1 m. The pump is throttled to an average suction pressure, with piping connected, but is not fitted with relief valves, tolerance ±3 dB (A).

All 2BH2 fulfil the directives 98/37/EC (machinery) and 2006/95/EC (low voltage) and the norm EN 60034-1 "Rotating electrical machines".

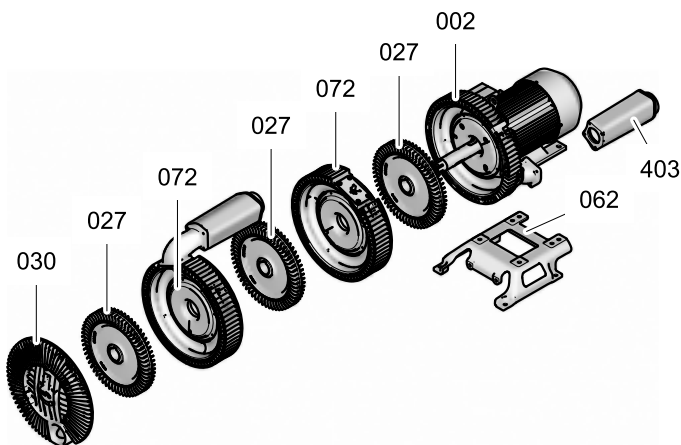
The motors are designed according to the EN 60034-1/IEC 60034-1 and temperature class F. Voltage tolerance ± 5%.

| Other voltages                         |  |  |                  |                   |             |    |                  |
|--|--|--|------------------|-------------------|-------------|----|------------------|
| 50 Hz (EFF I)                          | 50 Hz voltage ranges   | 60 Hz voltage ranges  | 86 Hz (5000 rpm) | 100 Hz (6000 rpm) | 2BH20360-3A | P. | -AA              |
| 200 V Δ / 345 V Y<br>500 V Δ           | 180 - 240 V Δ / 310 - 415 V Y<br>450 - 550 V Δ                 | 200 - 275 V Δ / 345 - 480 V Y<br>520 - 600 V Δ   | -----<br>-----   | 400 V Δ<br>-----  |             |    |                  |
| 230 V Δ / 400 V Y<br>400 V Δ / 690 V Y | 200 - 260 V Δ / 350 - 450 V Y<br>350 - 450 V Δ / 610 - 725 V Y | 230 - 290 V Δ / 400 - 500 V Y<br>400 - 500 V Δ / 690 - 725 V Y   | 400 V Δ<br>----- | -----<br>-----    |             |    | 1<br>5<br>6<br>7 |

\* No approval according to UL for voltage ranges above 600 V.

standard suction port at cover  A  B

## Material list



| No. | Description      | Material       |
|-----|------------------|----------------|
| 002 | Blower housing   | aluminum alloy |
| 027 | Impeller         | aluminum alloy |
| 030 | Blower cover     | aluminum alloy |
| 062 | Base             | cast irons     |
| 072 | Centre section   | aluminum alloy |
| 403 | Silencer housing | aluminum alloy |

Changes in particular the quoted performance curve, datas and weights without prior notice. The figures are without obligations.

# Gardner Denver

Elmo Rietschle is a brand of the  
Gardner Denver Blower Division

er.de@gardnerdenver.com  
www.gd-elmorietschle.com

Gardner Denver Schopfheim GmbH

Roggenbachstraße 58  
79650 Schopfheim - Germany

Tel.: +49 7622 392-0  
Fax: +49 7622 392-400

Gardner Denver Deutschland GmbH

Industriestraße 26  
97616 Bad Neustadt - Germany

Tel.: +49 9771 6888-0  
Fax: +49 9771 6888-4000

## G-BH2

### Data sheet 2BH20540-1

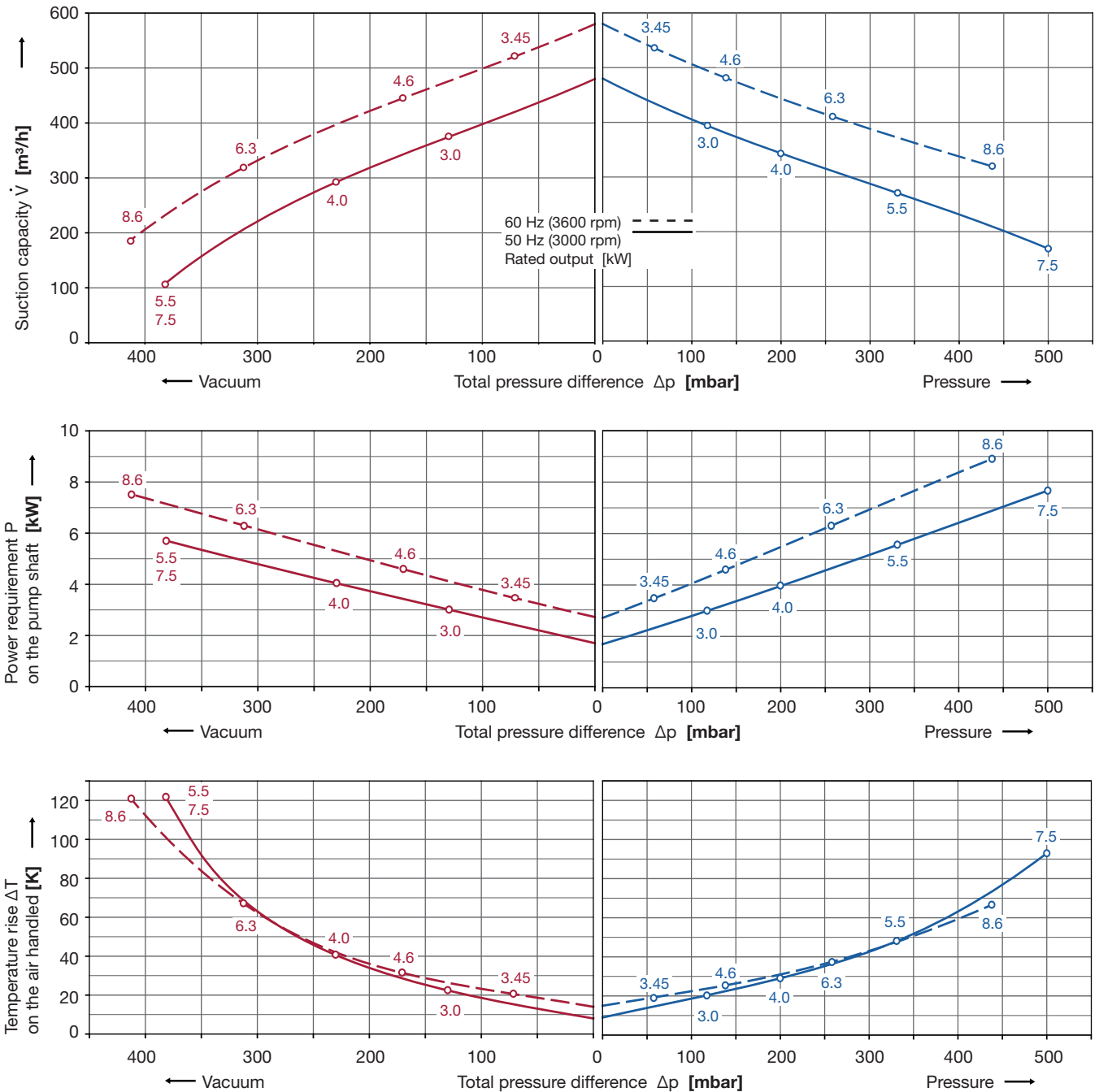
Side channel blower



#### Performance curves

##### Vacuum operation

##### Compressor operation



The performance curves are based on air at a temperature of 15 °C and an atmospheric pressure of 1013 mbar with a tolerance of ± 10 %. The total pressure differences are valid for suction and ambient temperature up to 25 °C. For other conditions please confer with us.

Each 2BH2 type can be applied both as vacuum pump and compressor in continuous operation over the total stated performance curve range. The motors are available as standard in protection category IP 55 and isolation class F. The vacuum pumps/compressors are approved according to UL and CSA.


| Selection and ordering data   |                |                           |                |                                   |          |   |               | Order-Nr.          |
|---|----------------|---------------------------|----------------|-----------------------------------|----------|---|---------------|--------------------|
| Rated output  | Fre-<br>quency | Rated                     |                | max. diff. pressure <sup>1)</sup> |          | Sound-<br>pressure<br>level <sup>2)</sup> | Weight<br>ca. |                    |
|   |                | voltage                   | current        | vacuum                            | pressure |   |               |                    |
| kW  | Hz             | V                         | A              | mbar                              | mbar     | dB (A)                                    | kg            |                    |
| <b>3~ 50/60 Hz, IP55, insulation class F, UL 507 and CSA 22.2 No. 13 (Certificate Number E225239)</b> |                |                           |                |                                   |          |   |               |                    |
| 3.0   | 50             | 200 - 260 Δ / 350 - 450 Y | 11.4 Δ / 6.5 Y | -130                              | +120     | 69  | 74            | 2BH20540-1AAPK6-AA |
| 3.45  | 60             | 230 - 290 Δ / 400 - 500 Y | 11.4 Δ / 6.5 Y | -70                               | +60      | 73  | 74            |                    |
| 4.0   | 50             | 350 - 450 Δ / 610 - 725 Y | 8.4 Δ / 4.8 Y  | -230                              | +200     | 69  | 85            | 2BH20540-1AAPL7-AA |
| 4.6   | 60             | 400 - 500 Δ               | 8.2 Δ          | -170                              | +140     | 73  | 85            |                    |
| 5.5   | 50             | 350 - 450 Δ / 610 - 725 Y | 11.1 Δ / 6.4 Y | -380                              | +330     | 69  | 96            | 2BH20540-1AAPM7-AA |
| 6.3   | 60             | 400 - 500 Δ               | 11.0 Δ         | -310                              | +260     | 73  | 96            |                    |
| 7.5   | 50             | 350 - 450 Δ / 610 - 725 Y | 15.0 Δ / 8.6 Y | -380                              | +500     | 69  | 104           | 2BH20540-1AAPN7-AA |
| 8.6   | 60             | 400 - 500 Δ               | 15.1 Δ         | -410                              | +440     | 73  | 104           |                    |

1) Relief-valve are available for limiting differential pressure.

2) Measuring-surface sound-pressure level acc. to EN ISO 3744, measured on an equivalent unit at a distance of 1 m. The pump is throttled to an average suction pressure, with piping connected, but is not fitted with relief valves, tolerance ±3 dB (A).

All 2BH2 fulfil the directives 98/37/EC (machinery) and 2006/95/EC (low voltage) and the norm EN 60034-1 "Rotating electrical machines".

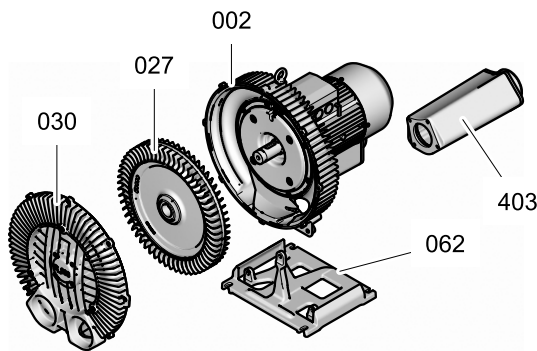
The motors are designed according to the EN 60034-1/IEC 60034-1 and temperature class F. Voltage tolerance ± 5%.

| Other voltages   |  |   |                                    |                                    |                          |                          |                          |
|--|--|---|------------------------------------|------------------------------------|--------------------------|--------------------------|--------------------------|
| 50 Hz (EFFI)   | 50 Hz voltage ranges   | 60 Hz voltage ranges             | 86 Hz (5000 rpm)                   | 100 Hz (6000 rpm)                  | 2BH20540-1A              | P.                       | -AA                      |
| 200 V Δ / 345 V Y<br>500 V Δ<br>230 V Δ / 400 V Y<br>400 V Δ / 690 V Y | 180 - 240 V Δ / 310 - 415 V Y<br>450 - 550 V Δ<br>200 - 260 V Δ / 350 - 450 V Y<br>350 - 450 V Δ / 610 - 725 V Y | 200 - 275 V Δ / 345 - 480 V Y<br>520 - 600 V Δ<br>230 - 290 V Δ / 400 - 500 V Y<br>400 - 500 V Δ / 690 - 725 V Y* | -----<br>-----<br>400 V Δ<br>----- | 400 V Δ<br>-----<br>-----<br>----- | <input type="checkbox"/> | <input type="checkbox"/> | <input type="checkbox"/> |
|  |  |   |                                    |                                    |                          |                          | 1<br>5<br>6<br>7         |

\* No approval according to UL for voltage ranges above 600 V.

standard A  
suction port at cover B

## Material list



| No. | Description      | Material       |
|-----|------------------|----------------|
| 002 | Blower housing   | aluminum alloy |
| 027 | Impeller         | aluminum alloy |
| 030 | Blower cover     | aluminum alloy |
| 062 | Base             | cast irons     |
| 403 | Silencer housing | aluminum alloy |

Changes in particular the quoted performance curve, datas and weights without prior notice. The figures are without obligations.

# Gardner Denver

Elmo Rietschle is a brand of the  
Gardner Denver Blower Division

er.de@gardnerdenver.com  
www.gd-elmorietschle.com

Gardner Denver Schopfheim GmbH

Roggenbachstraße 58  
79650 Schopfheim - Germany

Tel.: +49 7622 392-0  
Fax: +49 7622 392-300

Gardner Denver Deutschland GmbH

Industriestraße 26  
97616 Bad Neustadt - Germany

Tel.: +49 9771 6888-0  
Fax: +49 9771 6888-4000



## G-BH2

### Data sheet 2BH20540-2

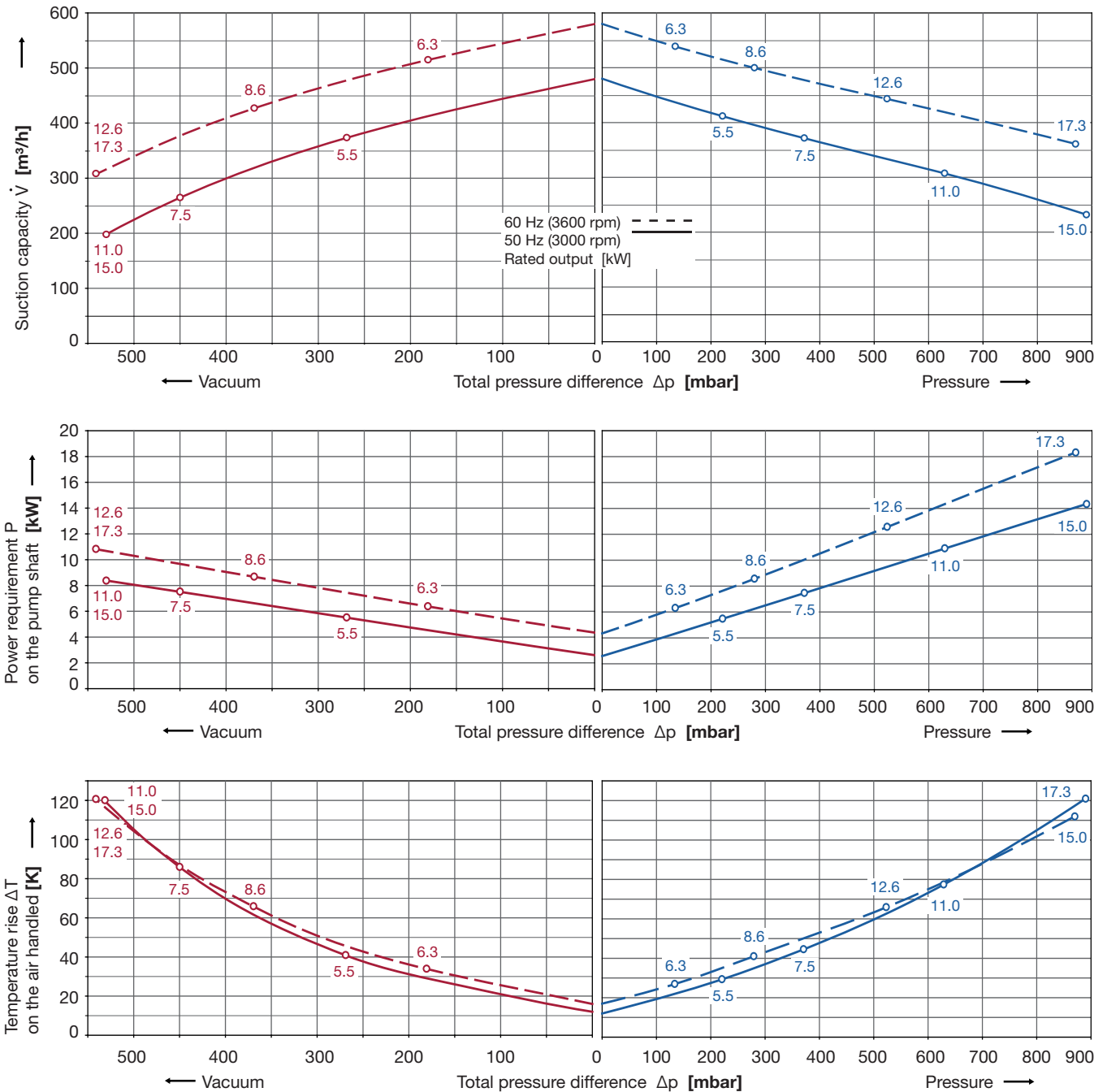
Side channel blower



#### Performance curves

##### Vacuum operation

##### Compressor operation



The performance curves are based on air at a temperature of 15 °C and an atmospheric pressure of 1013 mbar with a tolerance of ± 10 %. The total pressure differences are valid for suction and ambient temperature up to 25 °C. For other conditions please confer with us.

Each 2BH2 type can be applied both as vacuum pump and compressor in continuous operation over the total stated performance curve range. The motors are available as standard in protection category IP 55 and isolation class F. The vacuum pumps/compressors are approved according to UL and CSA.


| Selection and ordering data   |                |                           |                 |                                   |          |   |               | Order-Nr.          |
|---|----------------|---------------------------|-----------------|-----------------------------------|----------|---|---------------|--------------------|
| Rated output  | Fre-<br>quency | Rated                     |                 | max. diff. pressure <sup>1)</sup> |          | Sound-<br>pressure<br>level <sup>2)</sup> | Weight<br>ca. |                    |
|   |                | voltage                   | current         | vacuum                            | pressure |   |               |                    |
| kW  | Hz             | V                         | A               | mbar                              | mbar     | dB (A)                                    | kg            |                    |
| <b>3~ 50/60 Hz, IP55, insulation class F, UL 507 and CSA 22.2 No. 13 (Certificate Number E225239)</b> |                |                           |                 |                                   |          |   |               |                    |
| 5.5   | 50             | 350 - 450 Δ / 610 - 725 Y | 11.1 Δ / 6.4 Y  | -270                              | +220     | 70  | 126           | 2BH20540-2AAPM7-AA |
| 6.3   | 60             | 400 - 500 Δ               | 11.0 Δ          | -180                              | +130     | 74  | 126           |                    |
| 7.5   | 50             | 350 - 450 Δ / 610 - 725 Y | 15.0 Δ / 8.6 Y  | -450                              | +370     | 70  | 134           | 2BH20540-2AAPN7-AA |
| 8.6   | 60             | 400 - 500 Δ               | 15.1 Δ          | -370                              | +280     | 74  | 134           |                    |
| 11.0  | 50             | 350 - 450 Δ / 610 - 725 Y | 22.0 Δ / 12.7 Y | -530                              | +630     | 70  | 160           | 2BH20540-2AAPP7-AA |
| 12.6  | 60             | 400 - 500 Δ               | 22.0 Δ          | -540                              | +530     | 74  | 160           |                    |
| 15.0  | 50             | 350 - 450 Δ / 610 - 725 Y | 30.5 Δ / 17.3   | -530                              | +890     | 70  | 172           | 2BH20540-2AAPQ7-AA |
| 17.3  | 60             | 400 - 500 Δ               | 29.5 Δ          | -540                              | +870     | 74  | 172           |                    |

1) Relief-valve are available for limiting differential pressure.

2) Measuring-surface sound-pressure level acc. to EN ISO 3744, measured on an equivalent unit at a distance of 1 m. The pump is throttled to an average suction pressure, with piping connected, but is not fitted with relief valves, tolerance ±3 dB (A).

All 2BH2 fulfil the directives 98/37/EC (machinery) and 2006/95/EC (low voltage) and the norm EN 60034-1 "Rotating electrical machines".

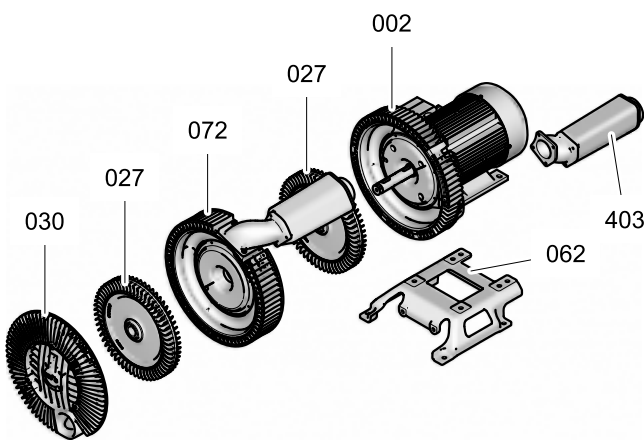
The motors are designed according to the EN 60034-1/IEC 60034-1 and temperature class F. Voltage tolerance ± 5%.

| Other voltages    |                               |  |                  |                   |  |   |
|-------------------|-------------------------------|--|------------------|-------------------|--|---|
| 50 Hz (EFFI)      | 50 Hz voltage ranges          | 60 Hz voltage ranges  | 86 Hz (5000 rpm) | 100 Hz (6000 rpm) | 2BH20540-2A <input type="checkbox"/> P. <input type="checkbox"/> -AA |   |
| 200 V Δ / 345 V Y | 180 - 240 V Δ / 310 - 415 V Y | 200 - 275 V Δ / 345 - 480 V Y  | -----            | 400 V Δ           |  | 1 |
| 500 V Δ           | 450 - 550 V Δ                 | 520 - 600 V Δ  | -----            | -----             |  | 5 |
| 230 V Δ / 400 V Y | 200 - 260 V Δ / 350 - 450 V Y | 230 - 290 V Δ / 400 - 500 V Y  | 400 V Δ          | -----             |  | 6 |
| 400 V Δ / 690 V Y | 350 - 450 V Δ / 610 - 725 V Y | 400 - 500 V Δ / 690 - 725 V Y*   | -----            | -----             |  | 7 |

\* No approval according to UL for voltage ranges above 600 V.

standard A  
suction port at cover B

## Material list



| No. | Description      | Material       |
|-----|------------------|----------------|
| 002 | Blower housing   | aluminum alloy |
| 027 | Impeller         | aluminum alloy |
| 030 | Blower cover     | aluminum alloy |
| 062 | Base             | cast irons     |
| 072 | Centre section   | aluminum alloy |
| 403 | Silencer housing | aluminum alloy |

Changes in particular the quoted performance curve, datas and weights without prior notice. The figures are without obligations.

# Gardner Denver

Elmo Rietschle is a brand of the  
Gardner Denver Blower Division

er.de@gardnerdenver.com  
www.gd-elmorietschle.com

Gardner Denver Schopfheim GmbH

Roggenbachstraße 58  
79650 Schopfheim - Germany

Tel.: +49 7622 392-0  
Fax: +49 7622 392-400

Gardner Denver Deutschland GmbH

Industriestraße 26  
97616 Bad Neustadt - Germany

Tel.: +49 9771 6888-0  
Fax: +49 9771 6888-4000

## G-BH2

### Data sheet 2BH20540-3

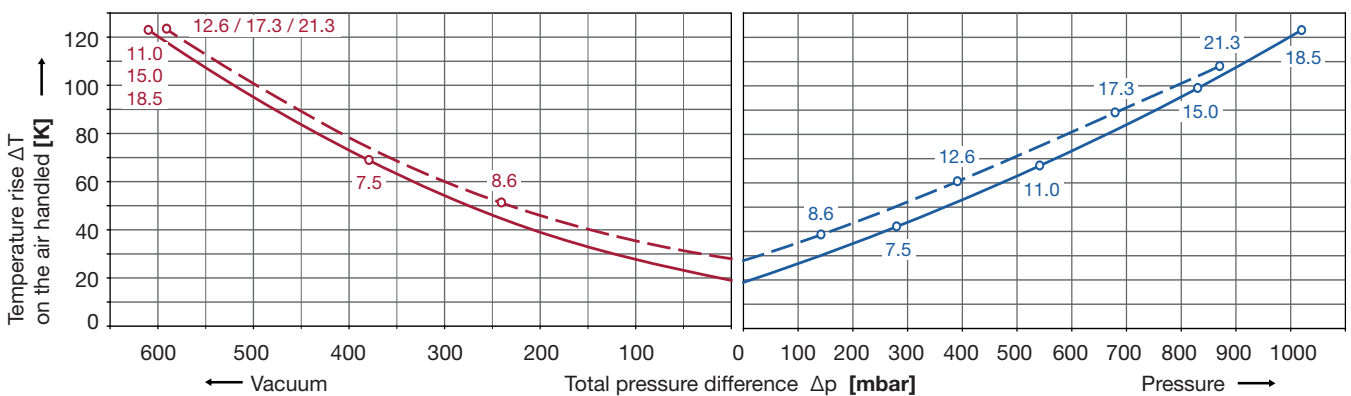
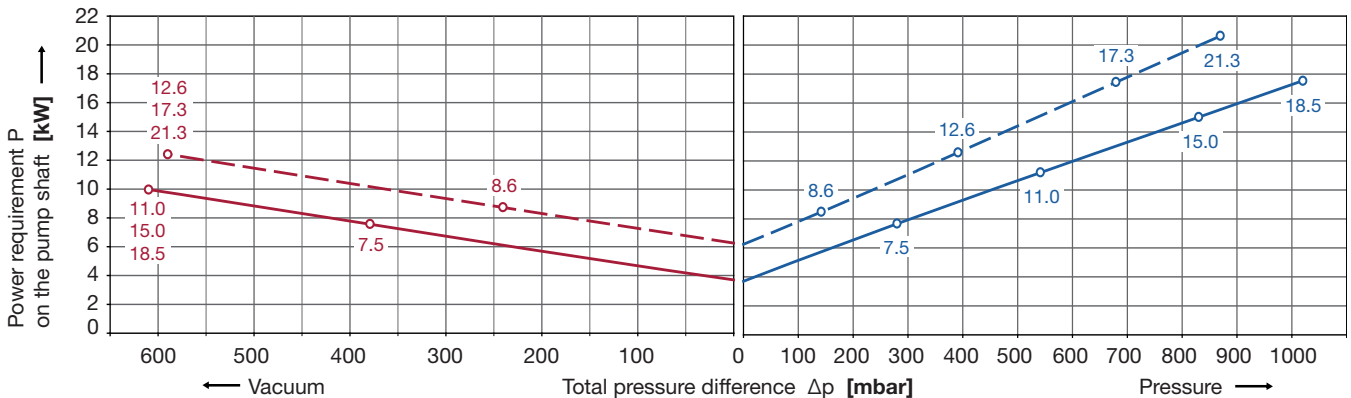
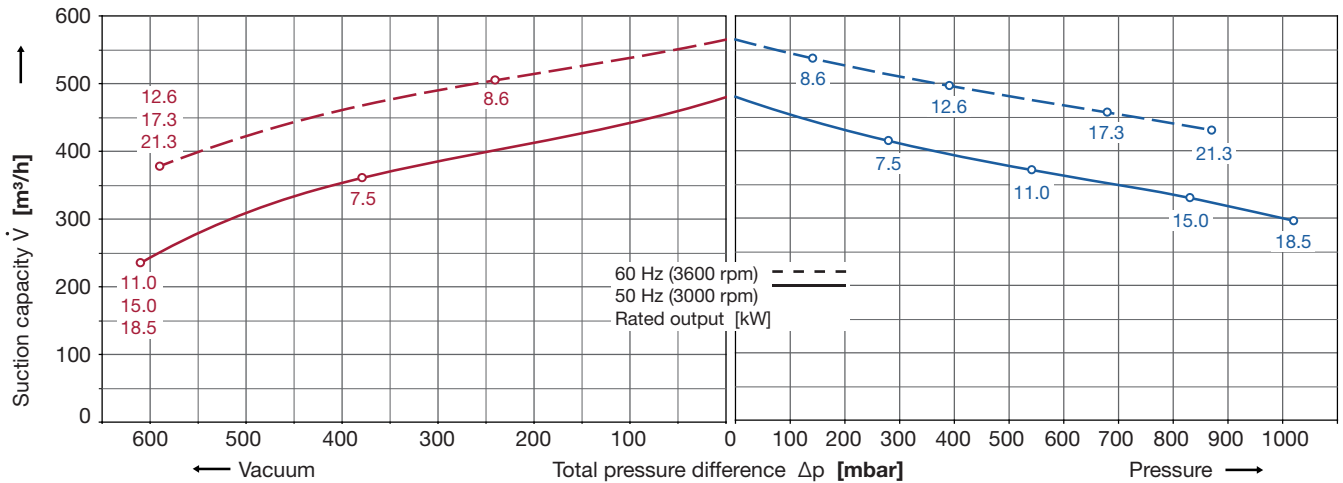
Side channel blower



#### Performance curves

##### Vacuum operation

##### Compressor operation



The performance curves are based on air at a temperature of 15 °C and an atmospheric pressure of 1013 mbar with a tolerance of  $\pm 10\%$ . The total pressure differences are valid for suction and ambient temperature up to 25 °C. For other conditions please confer with us.

Each 2BH2 type can be applied both as vacuum pump and compressor in continuous operation over the total stated performance curve range. The motors are available as standard in protection category IP 55 and isolation class F. The vacuum pumps/compressors are approved according to UL and CSA.


| Selection and ordering data   |                |                           |                 |                                   |          |   |               | Order-Nr.          |
|---|----------------|---------------------------|-----------------|-----------------------------------|----------|---|---------------|--------------------|
| Rated output  | Fre-<br>quency | Rated                     |                 | max. diff. pressure <sup>1)</sup> |          | Sound-<br>pressure<br>level <sup>2)</sup> | Weight<br>ca. |                    |
|   |                | voltage                   | current         | vacuum                            | pressure |   |               |                    |
| kW  | Hz             | V                         | A               | mbar                              | mbar     | dB (A)                                    | kg            |                    |
| <b>3~ 50/60 Hz, IP55, insulation class F, UL 507 and CSA 22.2 No. 13 (Certificate Number E225239)</b> |                |                           |                 |                                   |          |   |               |                    |
| 7.5   | 50             | 350 - 450 Δ / 610 - 725 Y | 15.0 Δ / 8.7 Y  | -380                              | +280     | 71  | 161           | 2BH20540-3AAPN7-AA |
| 8.6   | 60             | 400 - 500 Δ               | 15.1 Δ          | -240                              | +140     | 77  | 161           |                    |
| 11.0  | 50             | 350 - 450 Δ / 610 - 725 Y | 22.0 Δ / 12.7 Y | -610                              | +540     | 71  | 188           | 2BH20540-3AAPP7-AA |
| 12.6  | 60             | 400 - 500 Δ               | 22.0 Δ          | -590                              | +390     | 77  | 188           |                    |
| 15.0  | 50             | 350 - 450 Δ / 610 - 725 Y | 30.5 Δ / 17.3 Y | -610                              | +830     | 71  | 200           | 2BH20540-3AAPQ7-AA |
| 17.3  | 60             | 400 - 500 Δ               | 29.5 Δ          | -590                              | +680     | 77  | 200           |                    |
| 18.5  | 50             | 350 - 450 Δ / 610 - 725 Y | 37.0 Δ / 21.0 Δ | -610                              | +1020    | 71  | 215           | 2BH20540-3AAPR7-AA |
| 21.3  | 60             | 400 - 500 Δ               | 36.5 Δ          | -590                              | +870     | 77  | 215           |                    |

1) Relief-valve are available for limiting differential pressure.

2) Measuring-surface sound-pressure level acc. to EN ISO 3744, measured on an equivalent unit at a distance of 1 m. The pump is throttled to an average suction pressure, with piping connected, but is not fitted with relief valves, tolerance ±3 dB (A).

All 2BH2 fulfil the directives 98/37/EC (machinery) and 2006/95/EC (low voltage) and the norm EN 60034-1 "Rotating electrical machines".

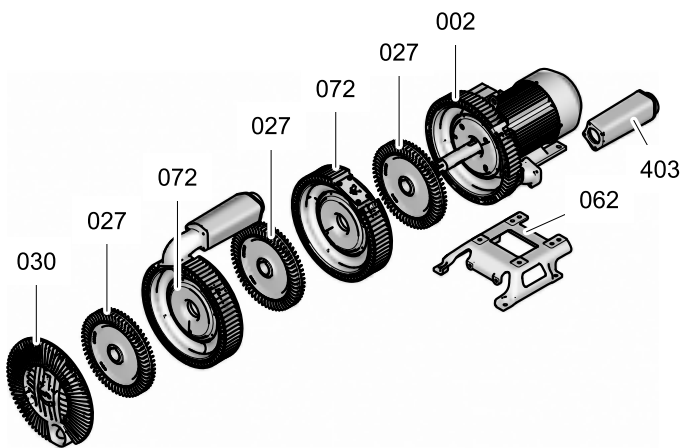
The motors are designed according to the EN 60034-1/IEC 60034-1 and temperature class F. Voltage tolerance ± 5%.

| Other voltages    |                               |  |                  |                   |  |   |
|-------------------|-------------------------------|--|------------------|-------------------|--|---|
| 50 Hz (EFFI)      | 50 Hz voltage ranges          | 60 Hz voltage ranges  | 86 Hz (5000 rpm) | 100 Hz (6000 rpm) | 2BH20540-3A <input type="checkbox"/> P. <input type="checkbox"/> -AA |   |
| 200 V Δ / 345 V Y | 180 - 240 V Δ / 310 - 415 V Y | 200 - 275 V Δ / 345 - 480 V Y  | -----            | 400 V Δ           |  | 1 |
| 500 V Δ           | 450 - 550 V Δ                 | 520 - 600 V Δ  | -----            | -----             |  | 5 |
| 230 V Δ / 400 V Y | 200 - 260 V Δ / 350 - 450 V Y | 230 - 290 V Δ / 400 - 500 V Y  | 400 V Δ          | -----             |  | 6 |
| 400 V Δ / 690 V Y | 350 - 450 V Δ / 610 - 725 V Y | 400 - 500 V Δ / 690 - 725 V Y*   | -----            | -----             |  | 7 |

\* No approval according to UL for voltage ranges above 600 V.

standard A  
suction port at cover B

## Material list



| No. | Description      | Material       |
|-----|------------------|----------------|
| 002 | Blower housing   | aluminum alloy |
| 027 | Impeller         | aluminum alloy |
| 030 | Blower cover     | aluminum alloy |
| 062 | Base             | cast irons     |
| 072 | Centre section   | aluminum alloy |
| 403 | Silencer housing | aluminum alloy |

Changes in particular the quoted performance curve, datas and weights without prior notice. The figures are without obligations.

# Gardner Denver

Elmo Rietschle is a brand of the  
Gardner Denver Blower Division

er.de@gardnerdenver.com  
www.gd-elmorietschle.com

Gardner Denver Schopfheim GmbH

Roggenbachstraße 58  
79650 Schopfheim - Germany

Tel.: +49 7622 392-0  
Fax: +49 7622 392-300

Gardner Denver Deutschland GmbH

Industriestraße 26  
97616 Bad Neustadt - Germany

Tel.: +49 9771 6888-0  
Fax: +49 9771 6888-4000

## G-BH2

### Data sheet 2BH20780-1

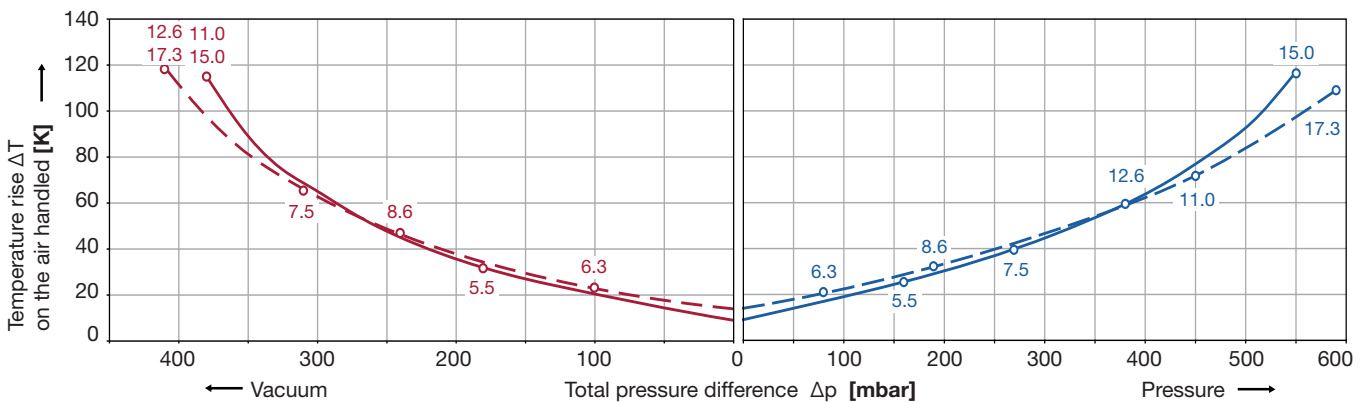
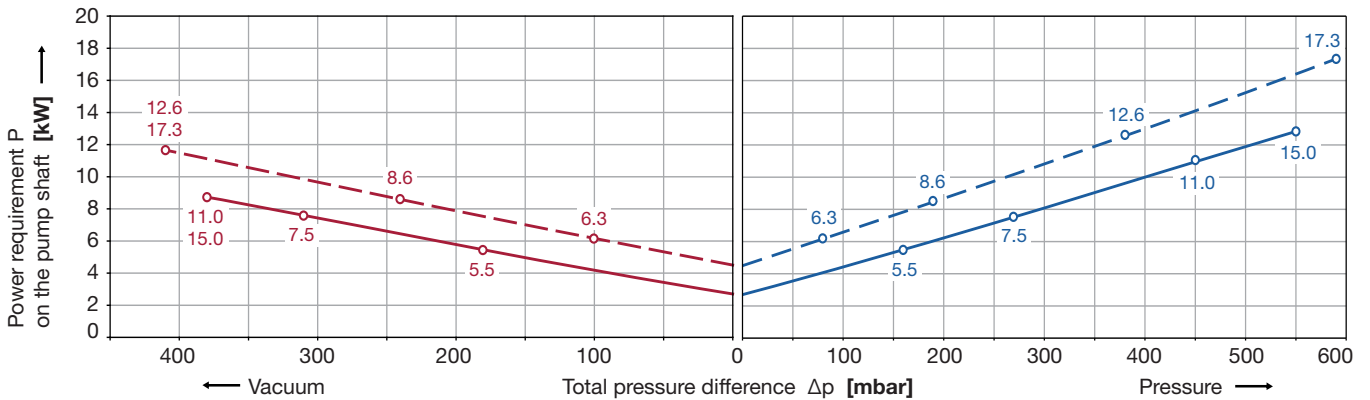
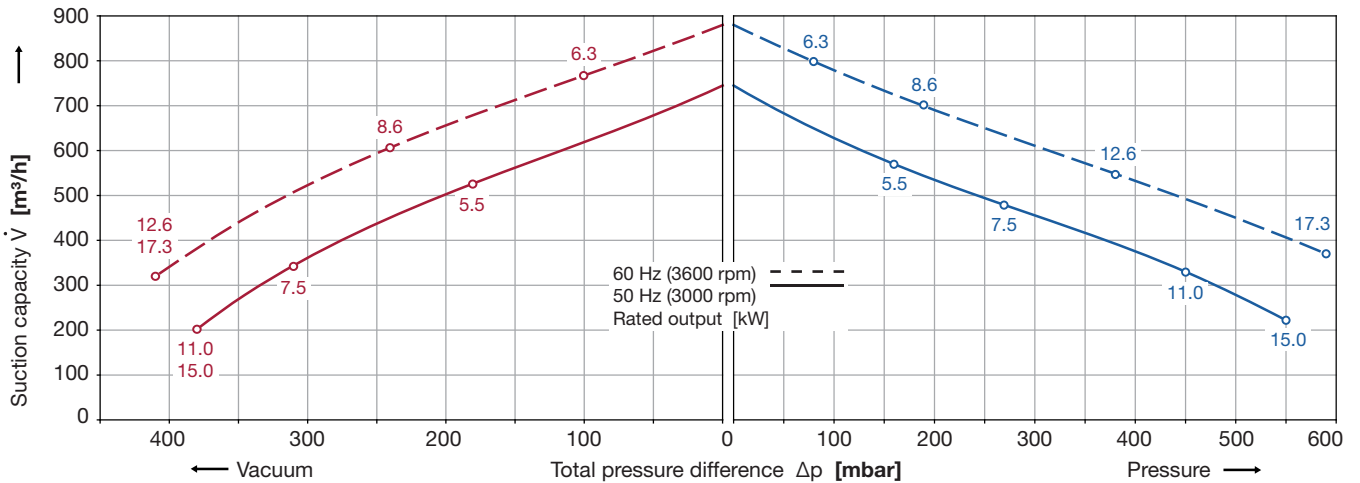
Side channel blower



#### Performance curves

##### Vacuum operation

##### Compressor operation



The performance curves are based on air at a temperature of 15 °C and an atmospheric pressure of 1013 mbar with a tolerance of  $\pm 10\%$ . The total pressure differences are valid for suction and ambient temperature up to 25 °C. For other conditions please confer with us.

Each 2BH2 type can be applied both as vacuum pump and compressor in continuous operation over the total stated performance curve range. The motors are available as standard in protection category IP 55 and isolation class F. The vacuum pumps/compressors are approved according to UL and CSA.

| Selection and ordering data   |                |                           |                 |                                   |          |   |               | Order-Nr.          |
|---|----------------|---------------------------|-----------------|-----------------------------------|----------|---|---------------|--------------------|
| Rated output  | Fre-<br>quency | Rated                     |                 | max. diff. pressure <sup>1)</sup> |          | Sound-<br>pressure<br>level <sup>2)</sup> | Weight<br>ca. |                    |
|   |                | voltage                   | current         | vacuum                            | pressure |   |               |                    |
| kW  | Hz             | V                         | A               | mbar                              | mbar     | dB (A)                                    | kg            |                    |
| <b>3~ 50/60 Hz, IP55, insulation class F, UL 507 and CSA 22.2 No. 13 (Certificate Number E225239)</b> |                |                           |                 |                                   |          |   |               |                    |
| 5.5   | 50             | 200 - 260 Δ / 350 - 450 Y | 19.4 Δ / 11.1 Y | - 180                             | + 160    | 71  | 124           | 2BH20780-1AAPM6-AA |
| 6.3   | 60             | 230 - 290 Δ / 400 - 500 Y | 19.1 Δ / 11.0 Y | - 100                             | + 80     | 75  | 124           |                    |
| 7.5   | 50             | 200 - 260 Δ / 350 - 450 Y | 26.5 Δ / 15.3 Y | - 310                             | + 270    | 71  | 132           | 2BH20780-1AAPN6-AA |
| 8.6   | 60             | 230 - 290 Δ / 400 - 500 Y | 26.0 Δ / 15.1 Y | - 240                             | + 190    | 75  | 132           |                    |
| 11.0  | 50             | 200 - 260 Δ / 350 - 450 Y | 38.5 Δ / 22.0 Y | - 380                             | + 450    | 71  | 154           | 2BH20780-1AAP6-AA  |
| 12.6  | 60             | 230 - 290 Δ / 400 - 500 Y | 37.5 Δ / 21.5 Y | - 410                             | + 380    | 75  | 154           |                    |
| 15.0  | 50             | 200 - 260 Δ / 350 - 450 Y | 52.0 Δ / 30.0 Y | - 380                             | + 550    | 71  | 165           | 2BH20780-1AAPQ6-AA |
| 17.3  | 60             | 230 - 290 Δ / 400 - 500 Y | 52.0 Δ / 29.5 Y | - 410                             | + 590    | 75  | 165           |                    |



1) Relief-valve are available for limiting differential pressure.

2) Measuring-surface sound-pressure level acc. to EN ISO 3744, measured on an equivalent unit at a distance of 1 m. The pump is throttled to an average suction pressure, with piping connected, but is not fitted with relief valves, tolerance ±3 dB (A).

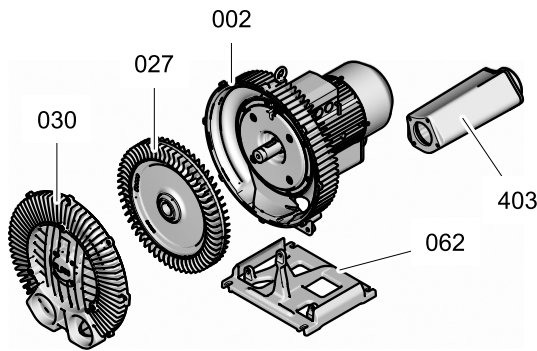
All 2BH2 fulfil the directives 98/37/EC (machinery) and 2006/95/EC (low voltage) and the norm EN 60034-1 "Rotating electrical machines".

The motors are designed according to the EN 60034-1/IEC 60034-1 and temperature class F. Voltage tolerance ± 5%.

Mechanical maximum speed  $n_{max} = 5000$  rpm (86 Hz).

| Other voltages  |  |  |                                 |                                 |                          |                             |                              |
|---|--|--|---------------------------------|---------------------------------|--------------------------|-----------------------------|------------------------------|
| 50 Hz  | 50 Hz voltage ranges   | 60 Hz voltage ranges  | 86 Hz                           | 100 Hz                          | 2BH20780-1A              | <input type="checkbox"/> P. | <input type="checkbox"/> -AA |
| 200 V Δ / 345 V Y<br>500 V Δ<br>230 V Δ / 400 V Y<br>400 V Δ / 690 V Y                  | 180 - 240 V Δ / 310 - 415 V Y<br>450 - 550 V Δ<br>200 - 260 V Δ / 350 - 450 V Y<br>350 - 450 V Δ / 610 - 725 V Y | 200 - 275 V Δ / 345 - 480 V Y<br>520 - 600 V Δ<br>230 - 290 V Δ / 400 - 500 V Y<br>400 - 500 V Δ       | ----<br>----<br>400 V Δ<br>---- | 400 V Δ<br>----<br>----<br>---- | <input type="checkbox"/> | <input type="checkbox"/>    | 1<br>5<br>6<br>7             |
|   |  |  |                                 |                                 |                          | standard                    | A                            |
|   |  |  |                                 |                                 |                          | suction port at cover       | B                            |

## Material list



| No. | Description      | Material       |
|-----|------------------|----------------|
| 002 | Blower housing   | aluminum alloy |
| 027 | Impeller         | aluminum alloy |
| 030 | Blower cover     | aluminum alloy |
| 062 | Base             | cast irons     |
| 403 | Silencer housing | aluminum alloy |

Changes in particular the quoted performance curve, datas and weights without prior notice. The figures are without obligations.

# Gardner Denver

Elmo Rietschle is a brand of the  
Gardner Denver Blower Division

er.de@gardnerdenver.com  
www.gd-elmorietschle.com

Gardner Denver Schopfheim GmbH

Roggenbachstraße 58  
79650 Schopfheim - Germany

Tel.: +49 7622 392-0  
Fax: +49 7622 392-400

Gardner Denver Deutschland GmbH

Industriestraße 26  
97616 Bad Neustadt - Germany

Tel.: +49 9771 6888-0  
Fax: +49 9771 6888-4000

## G-BH2

### Data sheet 2BH20780-2

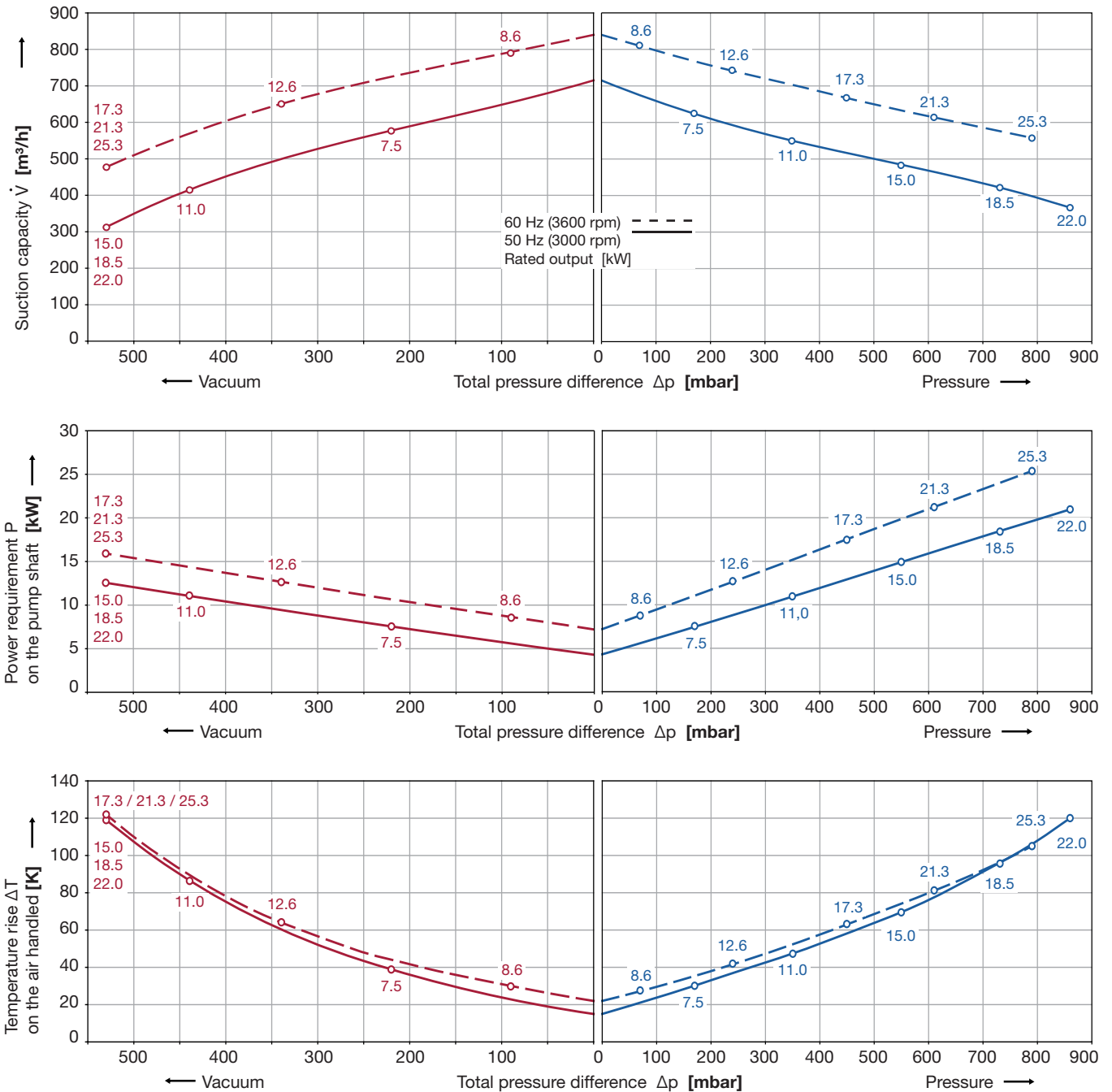
Side channel blower



#### Performance curves

##### Vacuum operation

##### Compressor operation



The performance curves are based on air at a temperature of 15 °C and an atmospheric pressure of 1013 mbar with a tolerance of  $\pm 10\%$ . The total pressure differences are valid for suction and ambient temperature up to 25 °C. For other conditions please confer with us.

Each 2BH2 type can be applied both as vacuum pump and compressor in continuous operation over the total stated performance curve range. The motors are available as standard in protection category IP 55 and isolation class F. The vacuum pumps/compressors are approved according to UL and CSA.

| Selection and ordering data   |                |                           |                 |                                   |          |   |               | Order-Nr.          |
|---|----------------|---------------------------|-----------------|-----------------------------------|----------|---|---------------|--------------------|
| Rated output  | Fre-<br>quency | Rated                     |                 | max. diff. pressure <sup>1)</sup> |          | Sound-<br>pressure<br>level <sup>2)</sup> | Weight<br>ca. |                    |
|   |                | voltage                   | current         | vacuum                            | pressure |   |               |                    |
| kW  | Hz             | V                         | A               | mbar                              | mbar     | dB (A)                                    | kg            |                    |
| <b>3~ 50/60 Hz, IP55, insulation class F, UL 507 and CSA 22.2 No. 13 (Certificate Number E225239)</b> |                |                           |                 |                                   |          |   |               |                    |
| 7.5   | 50             | 200 - 260 Δ / 350 - 450 Y | 26.5 Δ / 15.3 Y | - 220                             | + 170    | 73  | 171           | 2BH20780-2AAPN6-AA |
| 8.6   | 60             | 230 - 290 Δ / 400 - 500 Y | 26.0 Δ / 15.1 Y | - 90                              | + 70     | 77  | 171           |                    |
| 11.0  | 50             | 200 - 260 Δ / 350 - 450 Y | 38.5 Δ / 22.0 Y | - 440                             | + 350    | 73  | 197           | 2BH20780-2AAP6-AA  |
| 12.6  | 60             | 230 - 290 Δ / 400 - 500 Y | 37.5 Δ / 21.5 Y | - 340                             | + 240    | 77  | 197           |                    |
| 15.0  | 50             | 200 - 260 Δ / 350 - 450 Y | 52.0 Δ / 30.0 Y | - 530                             | + 550    | 73  | 208           | 2BH20780-2AAPQ6-AA |
| 17.3  | 60             | 230 - 290 Δ / 400 - 500 Y | 52.0 Δ / 29.5 Y | - 530                             | + 450    | 77  | 208           |                    |
| 18.5  | 50             | 200 - 260 Δ / 350 - 450 Y | 64.0 Δ / 36.5 Y | - 530                             | + 730    | 73  | 223           | 2BH20780-2AAPR6-AA |
| 21.3  | 60             | 230 - 290 Δ / 400 - 500 Y | 64.0 Δ / 36.5 Y | - 530                             | + 610    | 77  | 223           |                    |
| 22.0  | 50             | 200 - 260 Δ / 350 - 450 Y | 76.0 Δ / 43.0 Y | - 530                             | + 860    | 73  | 261           | 2BH20780-2AAPS6-AA |
| 24.5  | 60             | 230 - 290 Δ / 400 - 500 Y | 73.0 Δ / 42.0 Y | - 530                             | + 790    | 77  | 261           |                    |


1) Relief-valve are available for limiting differential pressure.

2) Measuring-surface sound-pressure level acc. to EN ISO 3744, measured on an equivalent unit at a distance of 1 m. The pump is throttled to an average suction pressure, with piping connected, but is not fitted with relief valves, tolerance ±3 dB (A).

All 2BH2 fulfil the directives 98/37/EC (machinery) and 2006/95/EC (low voltage) and the norm EN 60034-1 "Rotating electrical machines".

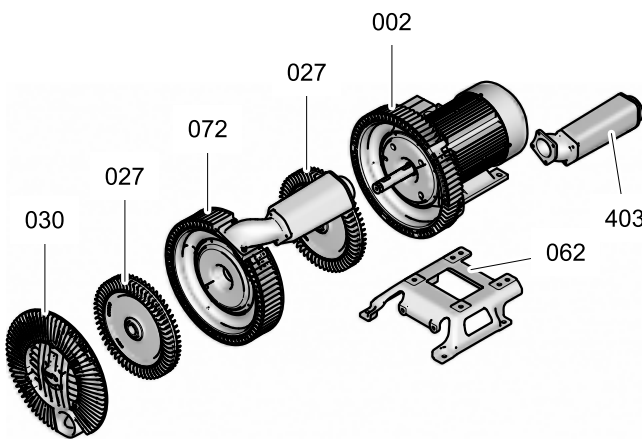
The motors are designed according to the EN 60034-1/IEC 60034-1 and temperature class F. Voltage tolerance ± 5%.

Mechanical maximum speed  $n_{max} = 5000$  rpm (86 Hz).

| Other voltages               |  |  |         |         |  |   |
|------------------------------|--|--|---------|---------|--|---|
| 50 Hz (EFF I)                | 50 Hz voltage ranges                           | 60 Hz voltage ranges  | 86 Hz   | 100 Hz  | 2BH20780-2A <input type="checkbox"/> P. <input type="checkbox"/> -AA |   |
| 200 V Δ / 345 V Y<br>500 V Δ | 180 - 240 V Δ / 310 - 415 V Y<br>450 - 550 V Δ | 200 - 275 V Δ / 345 - 480 V Y<br>520 - 600 V Δ   | ----    | 400 V Δ |  | 1 |
| 230 V Δ / 400 V Y            | 200 - 260 V Δ / 350 - 450 V Y                  | 230 - 290 V Δ / 400 - 500 V Y  | 400 V Δ | ----    |  | 5 |
| 400 V Δ / 690 V Y            | 350 - 450 V Δ / 610 - 725 V Y                  | 400 - 500 V Δ  | ----    | ----    |  | 6 |
|                              |  |  |         |         |  | 7 |

standard A  
suction port at cover B

### Material list



| No. | Description      | Material       |
|-----|------------------|----------------|
| 002 | Blower housing   | aluminum alloy |
| 027 | Impeller         | aluminum alloy |
| 030 | Blower cover     | aluminum alloy |
| 062 | Base             | cast irons     |
| 072 | Centre section   | aluminum alloy |
| 403 | Silencer housing | aluminum alloy |

Changes in particular the quoted performance curve, datas and weights without prior notice. The figures are without obligations.

# Gardner Denver

Elmo Rietschle is a brand of the  
Gardner Denver Blower Division

er.de@gardnerdenver.com  
www.gd-elmorietschle.com

Gardner Denver Schopfheim GmbH

Roggenbachstraße 58  
79650 Schopfheim - Germany

Tel.: +49 7622 392-0  
Fax: +49 7622 392-400

Gardner Denver Deutschland GmbH

Industriestraße 26  
97616 Bad Neustadt - Germany

Tel.: +49 9771 6888-0  
Fax: +49 9771 6888-4000



## G-BH2

### Data sheet 2BH20780-3

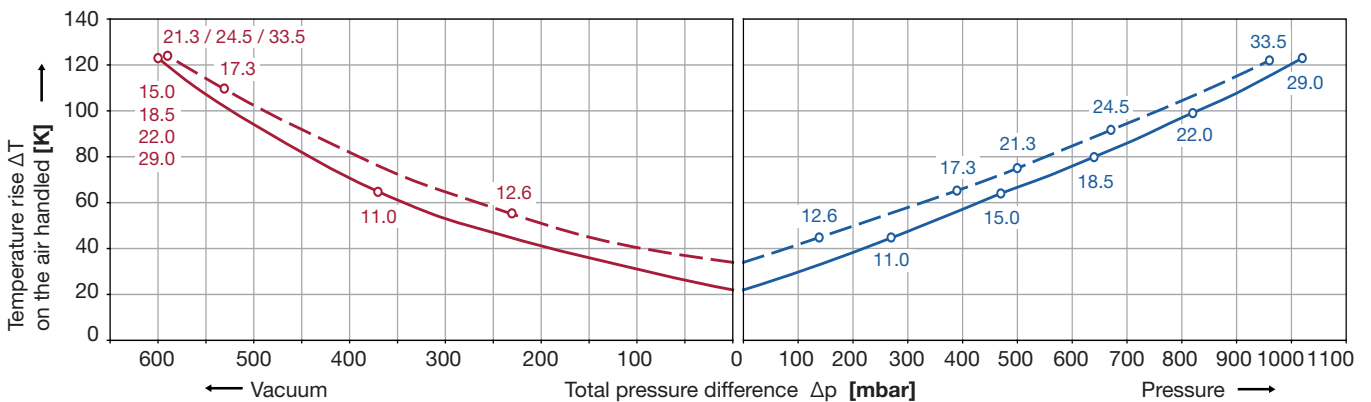
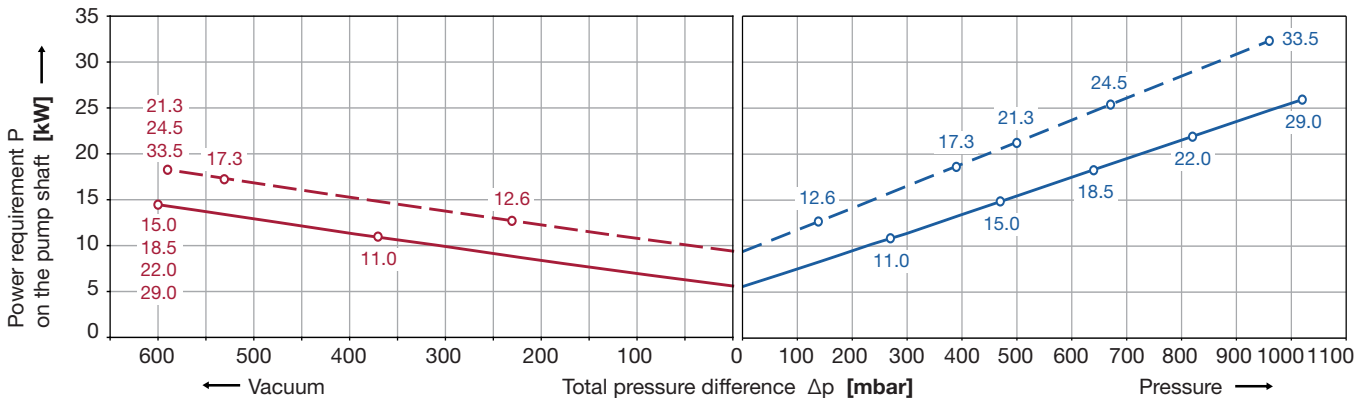
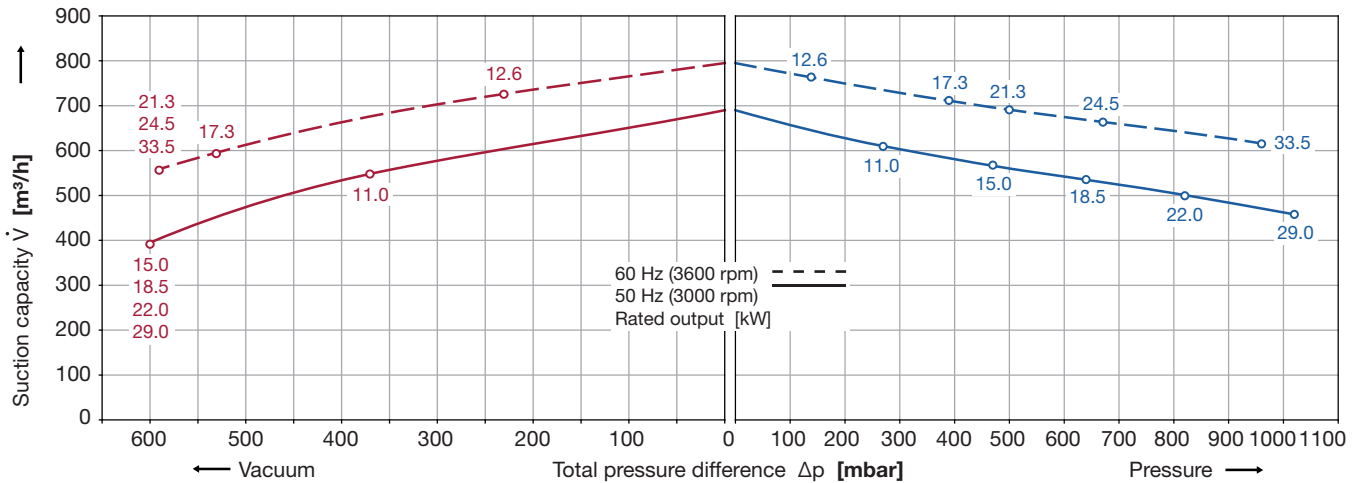
Side channel blower



#### Performance curves

##### Vacuum operation

##### Compressor operation



The performance curves are based on air at a temperature of 15 °C and an atmospheric pressure of 1013 mbar with a tolerance of  $\pm 10\%$ . The total pressure differences are valid for suction and ambient temperature up to 25 °C. For other conditions please confer with us.

Each 2BH2 type can be applied both as vacuum pump and compressor in continuous operation over the total stated performance curve range. The motors are available as standard in protection category IP 55 and isolation class F. The vacuum pumps/compressors are approved according to UL and CSA.

| Selection and ordering data   |                |                           |                 |                                   |          |   |               | Order-Nr.          |
|---|----------------|---------------------------|-----------------|-----------------------------------|----------|---|---------------|--------------------|
| Rated output  | Fre-<br>quency | Rated                     |                 | max. diff. pressure <sup>1)</sup> |          | Sound-<br>pressure<br>level <sup>2)</sup> | Weight<br>ca. |                    |
|   |                | voltage                   | current         | vacuum                            | pressure |   |               |                    |
| kW  | Hz             | V                         | A               | mbar                              | mbar     | dB (A)                                    | kg            |                    |
| <b>3~ 50/60 Hz, IP55, insulation class F, UL 507 and CSA 22.2 No. 13 (Certificate Number E225239)</b> |                |                           |                 |                                   |          |   |               |                    |
| 11.0  | 50             | 200 - 260 Δ / 350 - 450 Y | 38.5 Δ / 22.0 Y | - 370                             | + 270    | 74  | 236           | 2BH20780-3AAPP6-AA |
| 12.6  | 60             | 230 - 290 Δ / 400 - 500 Y | 37.5 Δ / 21.5 Y | - 230                             | + 140    | 78  | 236           |                    |
| 15.0  | 50             | 200 - 260 Δ / 350 - 450 Y | 52.0 Δ / 30.0 Y | - 600                             | + 470    | 74  | 249           | 2BH20780-3AAPQ6-AA |
| 17.3  | 60             | 230 - 290 Δ / 400 - 500 Y | 52.0 Δ / 29.5 Y | - 530                             | + 340    | 78  | 249           |                    |
| 18.5  | 50             | 200 - 260 Δ / 350 - 450 Y | 64.0 Δ / 36.5 Y | - 600                             | + 640    | 74  | 264           | 2BH20780-3AAPR6-AA |
| 21.3  | 60             | 230 - 290 Δ / 400 - 500 Y | 64.0 Δ / 36.5 Y | - 590                             | + 500    | 78  | 264           |                    |
| 22.0  | 50             | 200 - 260 Δ / 350 - 450 Y | 76.0 Δ / 43.0 Y | - 600                             | + 820    | 74  | 300           | 2BH20780-3AAPS6-AA |
| 24.5  | 60             | 230 - 290 Δ / 400 - 500 Y | 73.0 Δ / 42.0 Y | - 590                             | + 670    | 78  | 300           |                    |
| 29.0  | 50             | 200 - 240 Δ / 345 - 415 Y | 99.0 Δ / 57.5 Y | - 600                             | + 1020   | 74  | 300           | 2BH20780-3AAHT6-AA |
| 33.5  | 60             | 220 - 275 Δ / 380 - 480 Y | 99.0 Δ / 57.2 Y | - 590                             | + 960    | 78  | 300           |                    |



1) Relief-valve are available for limiting differential pressure.

2) Measuring-surface sound-pressure level acc. to EN ISO 3744, measured on an equivalent unit at a distance of 1 m. The pump is throttled to an average suction pressure, with piping connected, but is not fitted with relief valves, tolerance ±3 dB (A).

All 2BH2 fulfil the directives 98/37/EC (machinery) and 2006/95/EC (low voltage) and the norm EN 60034-1 "Rotating electrical machines".

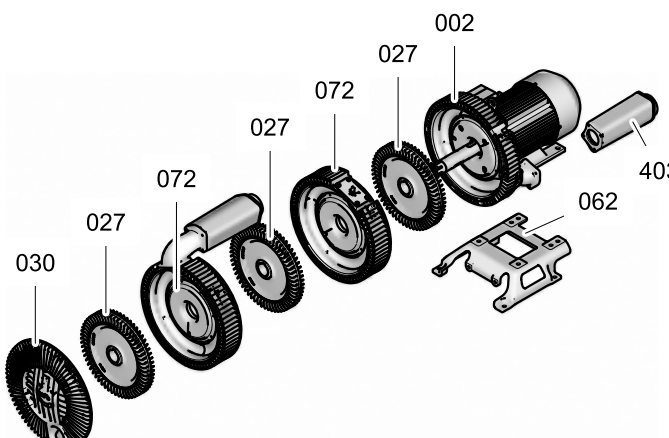
The motors are designed according to the EN 60034-1/IEC 60034-1 and temperature class F. Voltage tolerance ± 5%.

Mechanical maximum speed  $n_{max} = 5000$  rpm (86 Hz).

| Other voltages   |  |  |                                 |                                 |  |                  |
|--|--|--|---------------------------------|---------------------------------|--|------------------|
| 50 Hz (EFF I)  | 50 Hz voltage ranges   | 60 Hz voltage ranges    | 86 Hz                           | 100 Hz                          | 2BH20780-3A <input type="checkbox"/> P. <input type="checkbox"/> -AA |                  |
| 200 V Δ / 345 V Y<br>500 V Δ<br>230 V Δ / 400 V Y<br>400 V Δ / 690 V Y | 180 - 240 V Δ / 310 - 415 V Y<br>450 - 550 V Δ<br>200 - 260 V Δ / 350 - 450 V Y<br>350 - 450 V Δ / 610 - 725 V Y | 200 - 275 V Δ / 345 - 480 V Y<br>520 - 600 V Δ<br>230 - 290 V Δ / 400 - 500 V Y<br>400 - 500 V Δ         | ----<br>----<br>400 V Δ<br>---- | 400 V Δ<br>----<br>----<br>---- | <input type="checkbox"/> HT <input type="checkbox"/> -AA             | 1<br>5<br>6<br>7 |
| 50 Hz  | 50 Hz voltage ranges   | 60 Hz voltage ranges  | 86 Hz                           | 100 Hz                          | 2BH20780-3A <input type="checkbox"/> HT <input type="checkbox"/> -AA |                  |
| ----<br>500 V Δ<br>----<br>----  | 185 - 225 V Δ / 320 - 390 V Y<br>460 - 540 V Δ<br>200 - 240 V Δ / 345 - 415 V Y<br>345 - 415 V Δ / 600 - 720 V Y | 200 - 240 V Δ / 345 - 415 V Y<br>530 - 600 V Δ<br>220 - 275 V Δ / 380 - 480 V Y<br>380 - 480 V Δ         | ----<br>----<br>400 V Δ<br>---- | 400 V Δ<br>----<br>----<br>---- | <input type="checkbox"/> HT <input type="checkbox"/> -AA             | 1<br>5<br>6<br>7 |

standard A  
suction port at cover B

### Material list



| No. | Description      | Material       |
|-----|------------------|----------------|
| 002 | Blower housing   | aluminum alloy |
| 027 | Impeller         | aluminum alloy |
| 030 | Blower cover     | aluminum alloy |
| 062 | Base             | cast irons     |
| 072 | Centre section   | aluminum alloy |
| 403 | Silencer housing | aluminum alloy |

Changes in particular the quoted performance curve, datas and weights without prior notice. The figures are without obligations.

# Gardner Denver

Elmo Rietschle is a brand of the  
Gardner Denver Blower Division

er.de@gardnerdenver.com  
www.gd-elmorietschle.com

Gardner Denver Schopfheim GmbH

Roggenbachstraße 58  
79650 Schopfheim - Germany

Tel.: +49 7622 392-0  
Fax: +49 7622 392-300

Gardner Denver Deutschland GmbH

Industriestraße 26  
97616 Bad Neustadt - Germany

Tel.: +49 9771 6888-0  
Fax: +49 9771 6888-4000